

# YUNCA

(MARCH 1999)

**INSTALLATION INSTRUCTIONS**  
**ZERO CLEARANCE QEWB INBUILT WOODBURNER**  
COMPLIES WITH NZS 7421 1990  
APPENDIX J PROCEDURES & CLAUSE A4-4 OF NZS 7421 1985

## PRE-INSTALLATION

Check fireplace opening dimensions to make sure unit will fit. If opening of fireplace is greater than 800 wide and 650 high, then masonry work or fascia backing plate should be used to reduce the opening. Sweep the chimney and remove all ash. Check the condition of brickwork to ensure the structure is sound.

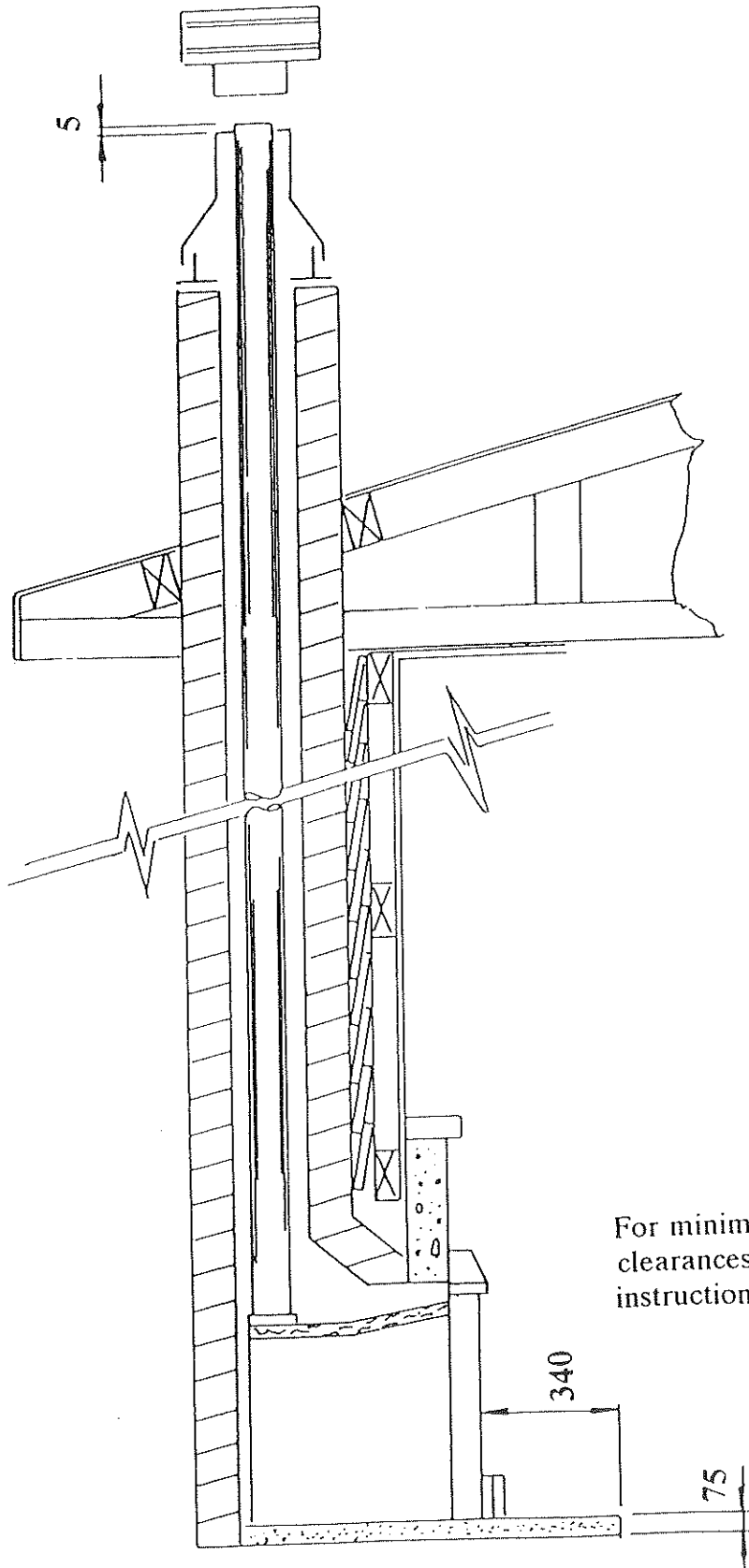
- A. Manufacturer recommends all installations be carried out by competent trade persons e.g. (Space Heater Installer) to obtain maximum performance and maintenance free heating.
- B. A permit is normally required and we suggest you check with your local building inspectors, as by-laws can vary from area to area. Also notify your local Insurance Company that a space heater has been installed.
- C. Hearth - Refer to Figure No. 7 for variations to hearth requirements.
- D. Mantel - As in accordance with the above listed standards, the minimum clearance for a mantel positioning is 300 mm above the fascia, projecting 75 mm maximum from the face of the concrete surround.

A mantel projecting more than 75 mm from concrete surround should be 500 mm above the fascia as per current standards.

For any further information, refer to the local building inspectors for installation requirements.

- E. Flue Kit
  - 1. Inbuilt flue kit in New Zealand consists of 3.6 m of 150 mm stainless steel flue.
  - 2. 1 x Weather cap and cowl.
- F. NOTE:
  - 1. All joints must be sealed with the flue sealing compound and screwed together. Also screw flue to unit spigot.
  - 2. Weather cowl must be screwed to flue, after trimming to correct length. Flue must not project more than 5 mm above cowl. See figure No. 1.
  - 3. **IMPORTANT** - Pack Kao Wool or boiler batt around firebox outer case. Kao Wool/boiler batts are not supplied by manufacturer.

# INSTALLATION



For minimum mantel clearances, refer to instructions on Page 1.

# FIREPLACE APPLIANCE

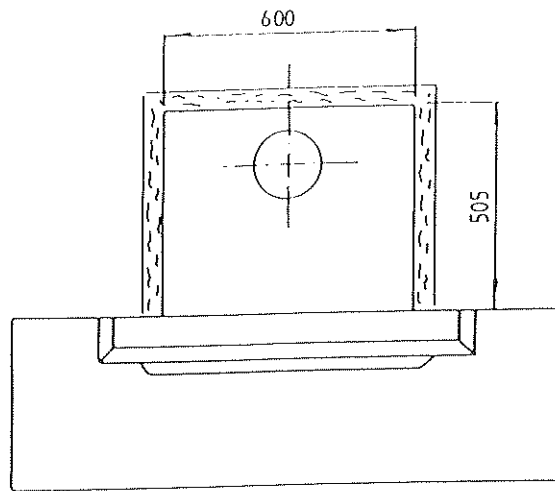


Figure No. 2  
Top View

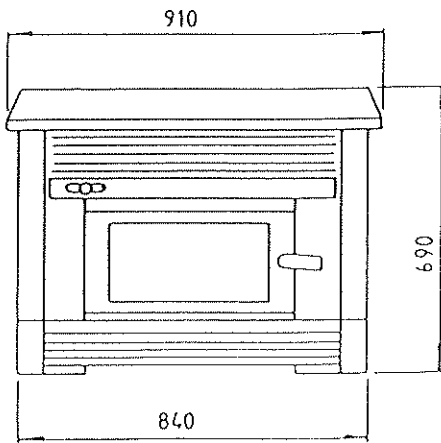


Figure No. 3  
Front View

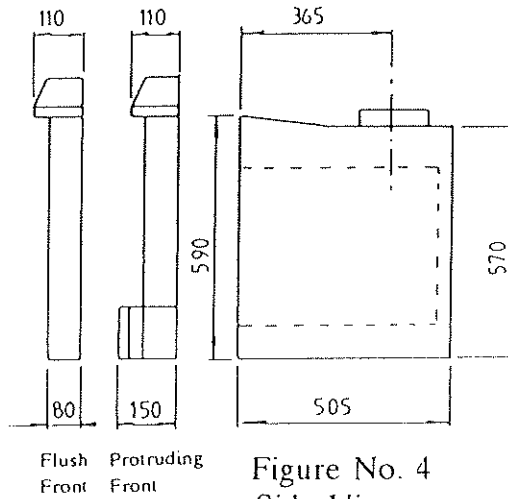


Figure No. 4  
Side View

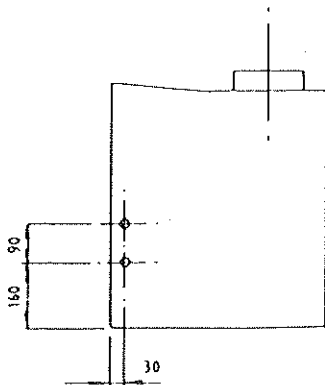


Figure No. 5  
Water Booster Installation

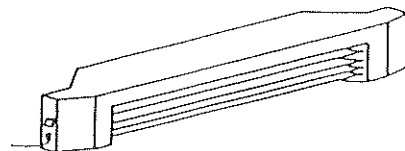


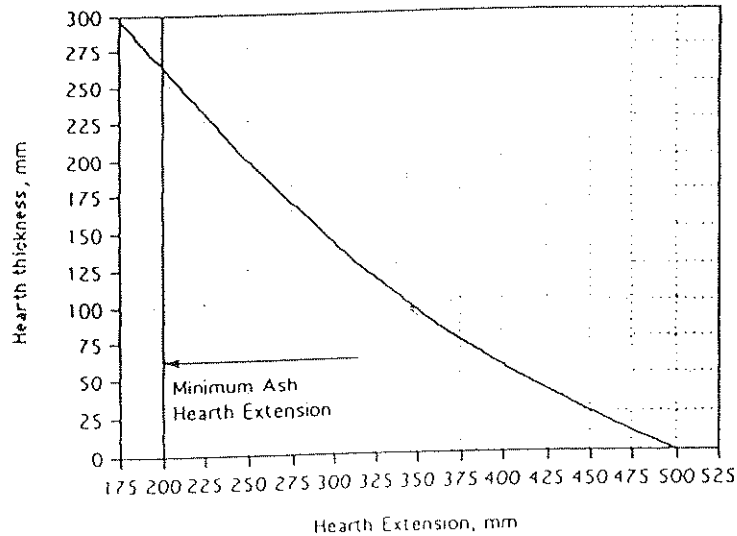
Figure No. 6  
Fan Installation

## HEARTH

1. The hearth must extend at least 370 mm in front of heater from face of the door glass or 340 mm from facia front.
2. The hearth must extend at least 150 mm on each side of heater.
3. The hearth must be constructed of non combustibile materials giving heat resistance equal to concrete or brick at least 75 mm thick.

### HEARTH VARIATIONS - Figure No. 7

The graph shows the likely hearth extensions for varying hearth heights above floor surface level.



This shows that for a typical 75 mm high brick hearth, an extension of 370 mm in front of the door glass would be required.

### ASSEMBLY DETAILS - Figure No. 8

Side faces of cowl to be flush with face of wall.

Remove top and bottom louvers, hood and slide control

Place facia front to firebox.

Screw facia to top of cowl with filler piece placed between.

Bolt hearth to firebox with nuts and spring washer.

Replace top and bottom louvers, hood and slide control knob.

