



YUNCA

A division of Terry Young Ltd., New Zealand

XCEL 18

INSTALLATION INSTRUCTIONS XCEL 18 WOODBURNER FREESTANDING

(January 1997)

TESTED in compliance with Appendix B of NZS:7421:1990

- A. Manufacturer recommends all installations be carried out by competent trades persons e.g. (Space Heater Installer) to obtain maximum performance and maintenance free heating.
- B. A permit is normally required and we suggest you check with your local building inspectors as by-laws can vary from area to area. Also notify your Insurance Company that a space heater has been installed.
- C. Hearth -
1. Must extend a minimum of 400mm in front of heater door panel face.
 2. Must extend at least 125mm on each side of heater.
 3. Must be constructed of non-combustible materials e.g. 8mm thick fibre cement sheet covered with quarry/ceramic tiles.
- D. Manufacturers recommend minimum clearances from combustible walls, in compliance with NZS 7421:1990.

Rear Clearance (with Flue Guard fitted)	50mm
Side Clearance (with Flue Guard fitted)	350mm
Corner Clearance (with Flue Guard fitted)	100mm
Rear Clearance (without Flue Guard fitted)	400mm
Side Clearance (without Flue Guard fitted)	375mm
Corner Clearance (without Flue Guard fitted)	325mm

- E. **Flue Kit** -
1. 3.6m x 150mm stainless steel flue
 2. 1.8m x 250mm galvanised liner
 3. 1 x ceiling tile
 4. 1 x insulation boundary shield
 5. 2 x spider brackets
 6. 1 x weather cap & cowl

NOTE: All joints must be sealed with flue sealing compound and screwed or riveted together, including the first length of flue being screwed to flue spigot.

- F. **Standard Flue Guard Kit**
- 1 x 1200mm length back guard
 - 1 x 1200mm length perforated front guard
 - 1 x 900mm length adjustable back guard

- G. **Accessory 1200 Flue Guard Kit**
- 1 x 1200mm length back guard
 - 1 x 1200mm length perforated front guard
 - 1 x joining collar

- H. **Accessory 600 Flue Guard Kit**
- 1 x 600mm length back guard
 - 1 x 600mm length perforated front guard
 - 1 x joining collar

The minimum flue guard height
for this heater is 1200mm

TYPICAL FLUE INSTALLATION

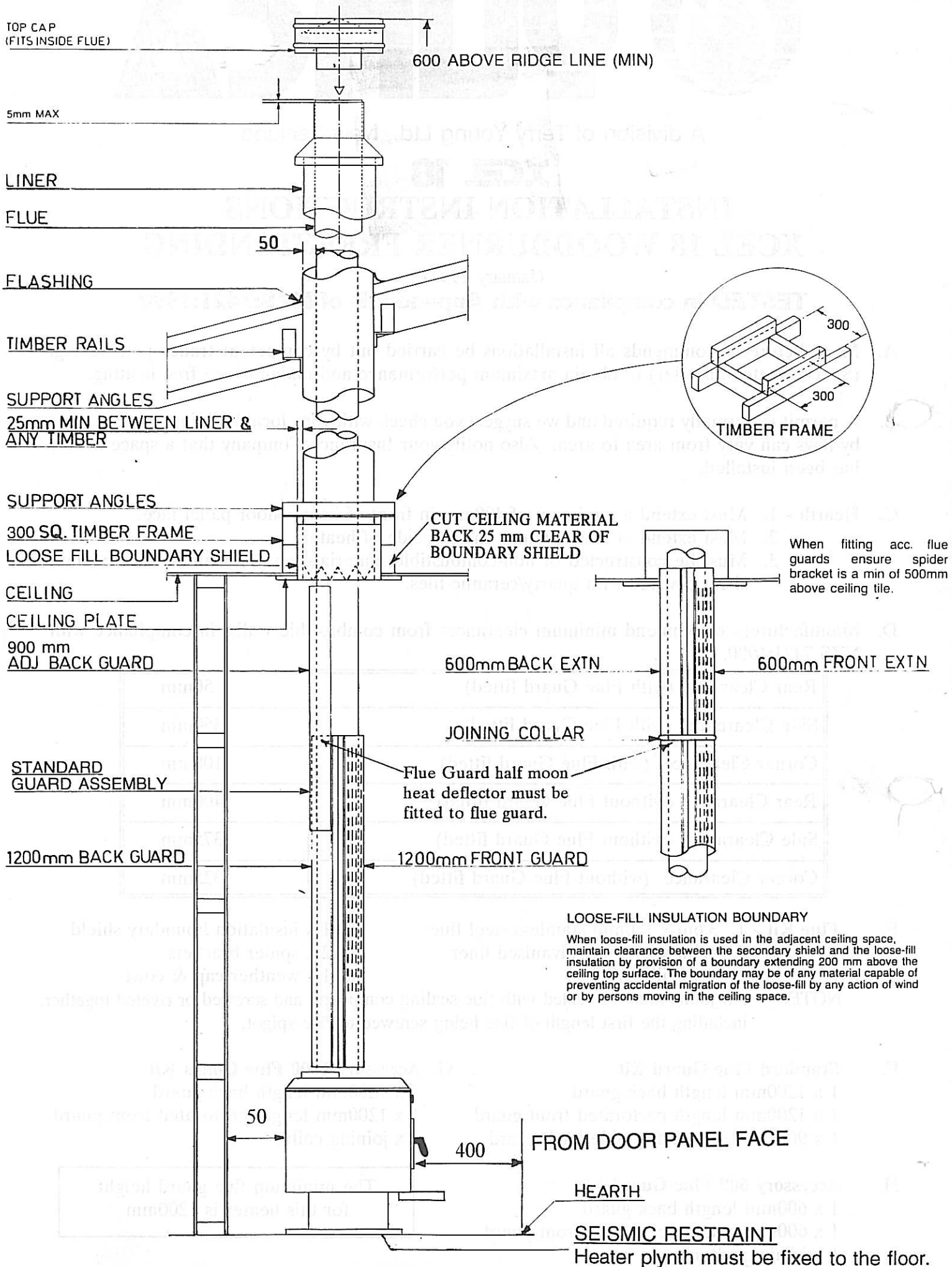


FIG.1 FRONT

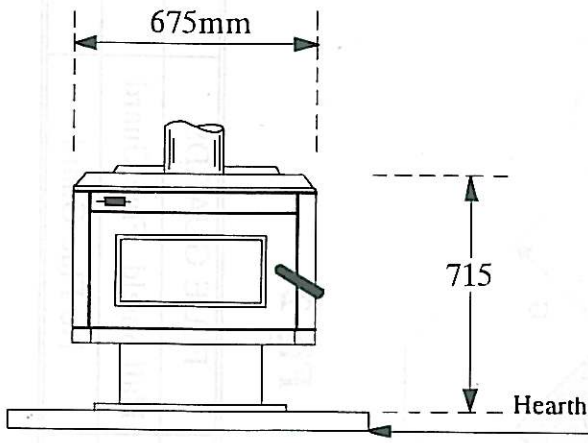


FIG.2 WATERBOOSTER CONNECTIONS

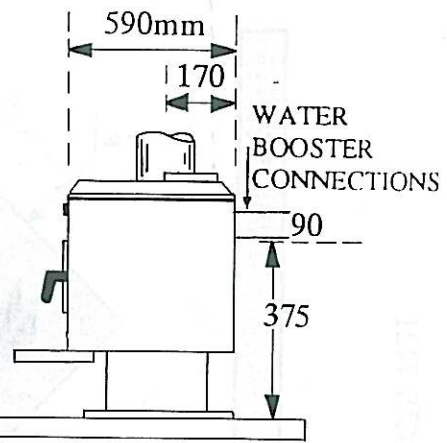


Fig No. 1

With Flue Guard fitted
1370

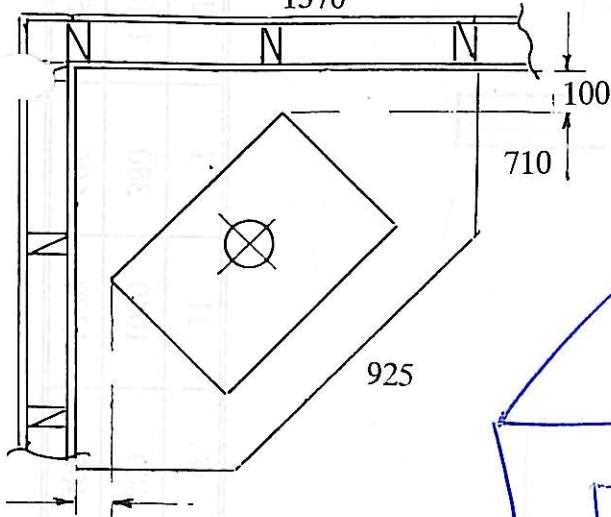


Fig No. 3

Without Flue Guard fitted

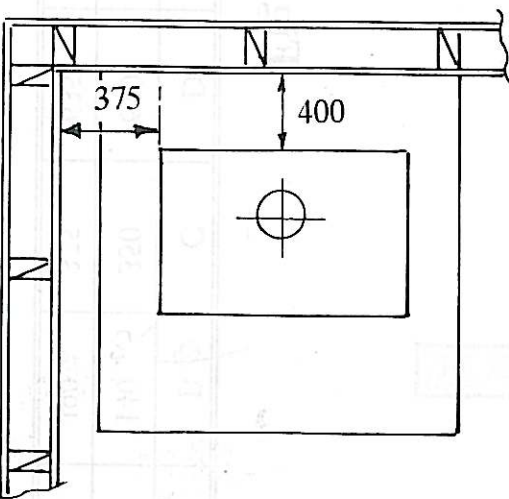


Fig No. 2

With Flue Guard fitted

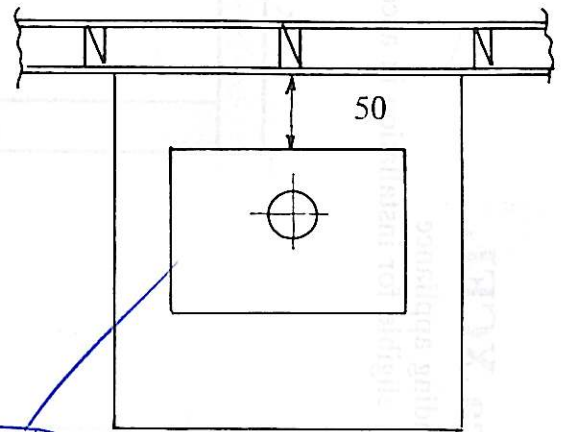
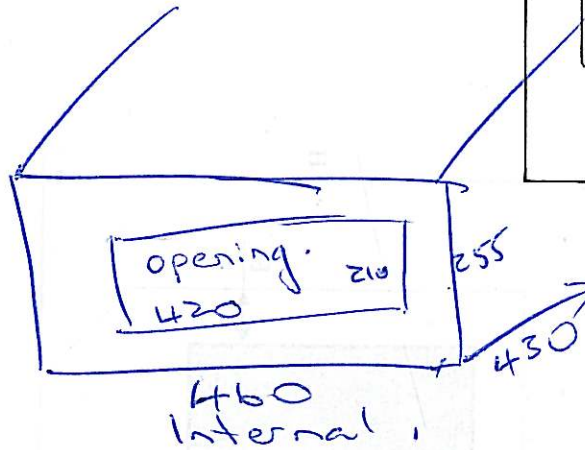
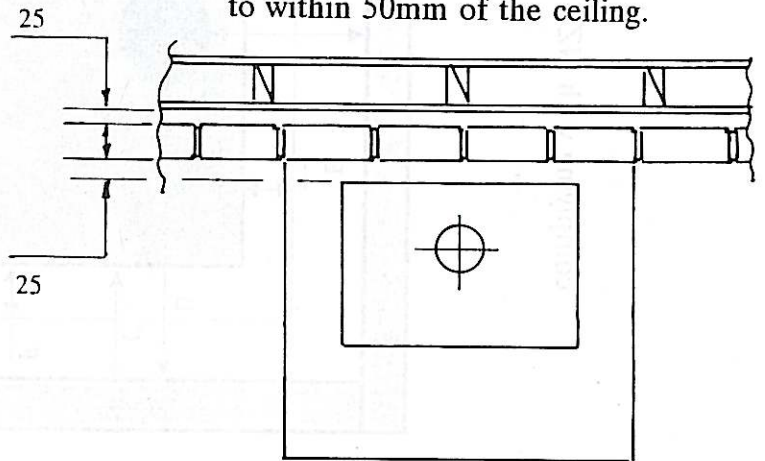


Fig No. 4

Brickwork must extend from floor to within 50mm of the ceiling.



NB. Full height brick screen is required to be on a concrete or masonry foundation taken to solid bearing.

Yunca XCEL

Free standing appliance

complying with NZS 7421 test requirements and eligible for installation in accordance with NZS 7421

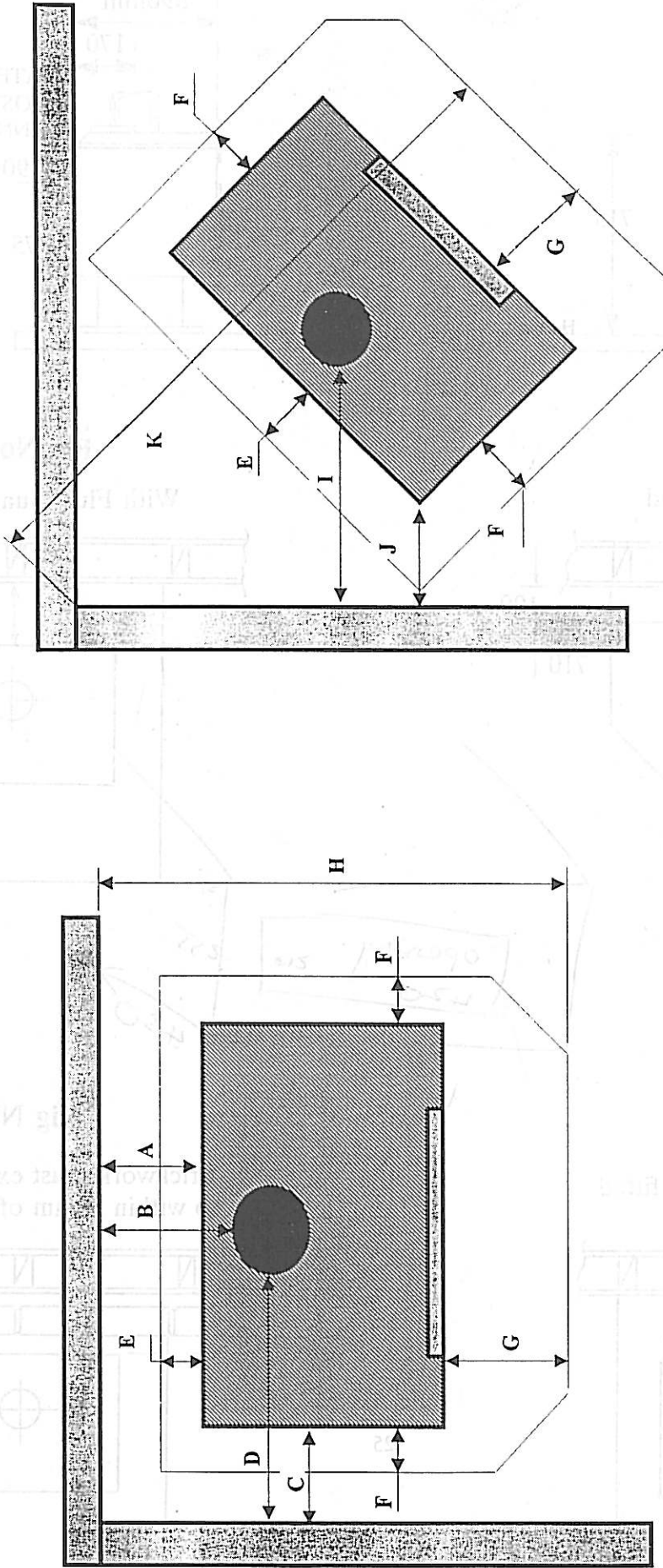


Fig 2

Fig 1

A	B	C	D	E	F	G	H	I	J	K	FLUE GUARDS
50	140	350	610	0	125	400	1040	380	100	1470	Half Shield Flue Guard
400	490	375	635	0	125	400	1390	605	325	1785	No Flue Guard